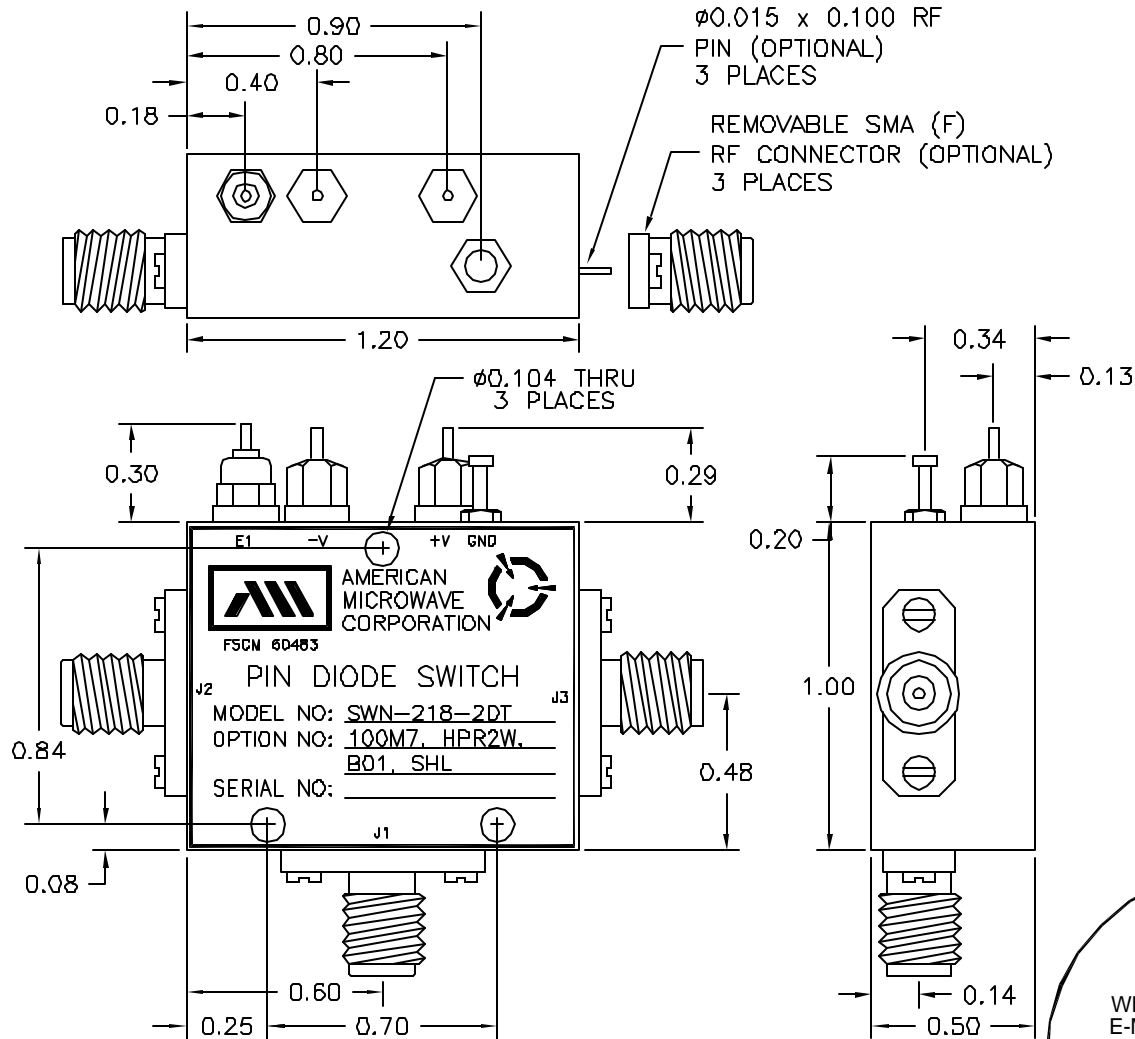


## DESCRIPTION

AMC MODEL SWN-218-2DT OPTIONS: 100M7, HPR2W, B01, SHL IS AN ABSORPTIVE/NON-REFLECTIVE SINGLE POLE TWO THROW SWITCH MODULE DESIGNED TO OPERATE BETWEEN THE 100 MHz TO 6.7 GHz FREQUENCY RANGE WITH 2 WATT POWER HANDLING, -12V POWER SUPPLY AND SHUNT LOAD.

REVISIONS				
ZONE	REV.	DESCRIPTION	DATE	APPROVED
	-	ORIGINAL RELEASE JOB# 602028N-1	4/8/06	

## MECHANICAL OUTLINE



ALL DIMENSIONS ARE IN INCHES  
 TOLERANCES:  
 X.XX  $\pm 0.020$   
 X.XXX  $\pm 0.010$

## AMERICAN MICROWAVE CORPORATION

7311-G GROVE ROAD  
 FREDERICK, MARYLAND 21704 USA  
 TEL: 301-662-4700 FAX: 301-662-4938  
 WEBSITE: [www.americanmicrowavecorp.com](http://www.americanmicrowavecorp.com)  
 E-MAIL: [sales@americanmicrowavecorp.com](mailto:sales@americanmicrowavecorp.com)  
 ISO 9001:2000 CERTIFIED



APPROVALS		DATE	TITLE		
DRAWN	<i>FDF</i>	4/8/06	MECHANICAL OUTLINE SWN-218-2DT OPTION: 100M7, HPR2W, B01, SHL 0.1-6.7 GHz, SINGLE POLE TWO THROW SWITCH		
CHECKED			SIZE	F50M NO.	DWG NO.
ISSUED			A	60483	100-7629
			SCALE	N:S	SHEET 2 OF 4

## DESCRIPTION

AMC MODEL SWN-218-2DT OPTIONS: 100M7, HPR2W, B01, SHL IS AN ABSORPTIVE/NON-REFLECTIVE SINGLE POLE TWO THROW SWITCH MODULE DESIGNED TO OPERATE BETWEEN THE 100 MHz TO 6.7 GHz FREQUENCY RANGE WITH 2 WATT POWER HANDLING, -12V POWER SUPPLY AND SHUNT LOAD.

## SPECIFICATIONS

- FREQUENCY RANGE: ..... 100 MHz TO 6.7 GHz
- INSERTION LOSS: ..... 2.5 dB MAXIMUM
- ISOLATION: ..... 60 dB MINIMUM
- VSWR: ..... 2.0:1
- DELAY ON: ..... 500 nSec MAXIMUM
- DELAY OFF: ..... 500 nSec MAXIMUM
- POWER INPUT: ..... +33 dBm CW
- SURVIVAL POWER: ..... 1 WATT CW, 10 WATTS PEAK 1  $\mu$ Sec
- CONTROL: ..... TTL LOGIC "0" = J1-J2 ON  
TTL LOGIC "1" = J1-J3 ON
- POWER SUPPLY: ..... +5V @ 100 mA MAXIMUM  
-12V @ 100 mA MAXIMUM
- CONNECTORS:  
RF: ..... SMA FEMALE  
CONTROL: ..... SOLDER PIN
- SIZE: ..... 1.20" (L) x 1.00" (W) x 0.50" (H)
- WEIGHT: ..... 1.5 OUNCE TYPICAL

## OPTIONS:

- 100M7: ..... 100 MHz TO 6.7 GHz FREQUENCY RANGE
- HPR2W: ..... 2 WATT POWER HANDLING
- B01: ..... -12V POWER SUPPLY
- SHL: ..... SHUNT LOAD

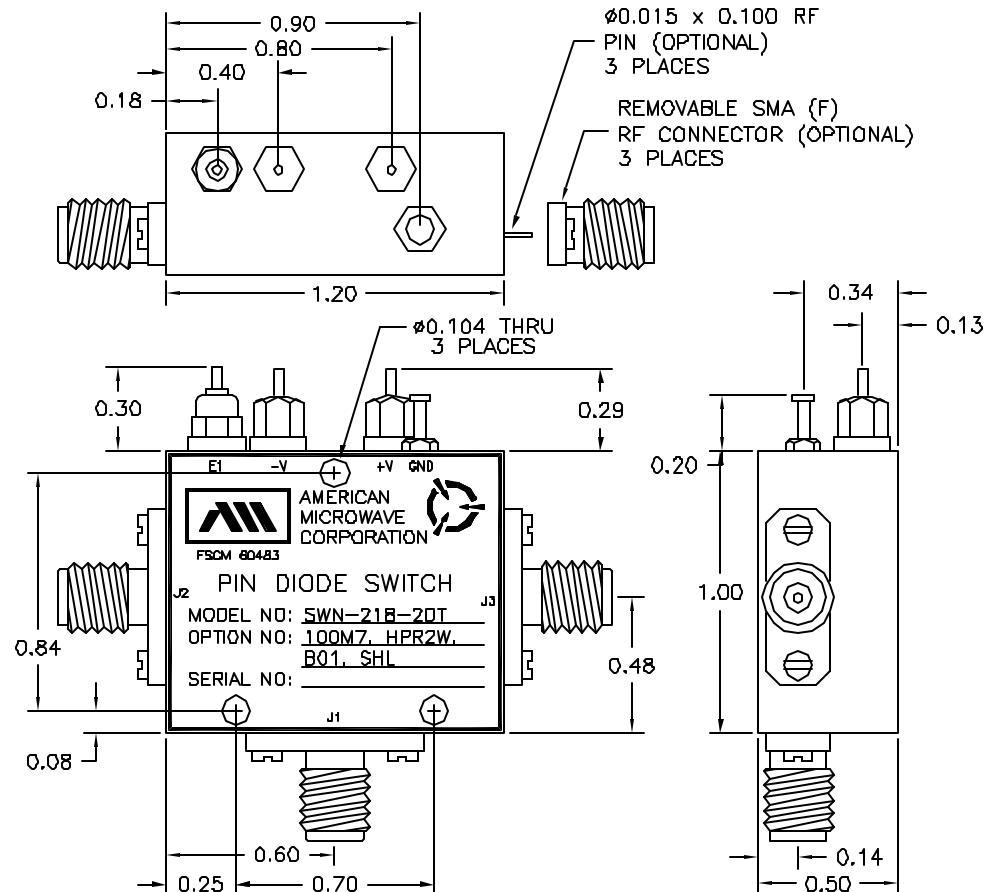
## ENVIRONMENTAL RATINGS:

- TEMPERATURE: ..... -55°C TO +85°C (OPERATING)  
-65°C TO +125°C (STORAGE)
- HUMIDITY: ..... MIL-STD-202F, METHOD 103B COND. B
- SHOCK: ..... MIL-STD-202F, METHOD 213B COND. B
- VIBRATION: ..... MIL-STD-202F, METHOD 204D COND. B
- ALTITUDE: ..... MIL-STD-202F, METHOD 105C COND. B
- TEMPERATURE CYCLE: ..... MIL-STD-202F, METHOD 107D COND. A

NOTE: SPECIFICATIONS WILL VARY OVER OPERATING TEMPERATURE  
NOTE: THE ABOVE SPECIFICATIONS ARE SUBJECT TO CHANGE OR REVISION

ALL DIMENSIONS ARE IN INCHES  
TOLERANCES:  
XXX ±0.020  
XXX ±0.010

REVISIONS				
ZONE	REV.	DESCRIPTION	DATE	APPROVED
	-	ORIGINAL RELEASE JOB# 602028N-1	4/8/06	



## AMERICAN MICROWAVE CORPORATION

7311-G GROVE ROAD  
FREDERICK, MARYLAND 21704 USA  
TEL: 301-662-4700 FAX: 301-662-4938  
WEBSITE: [www.americanmicrowavecorp.com](http://www.americanmicrowavecorp.com)  
E-MAIL: [sales@americanmicrowavecorp.com](mailto:sales@americanmicrowavecorp.com)  
ISO 9001:2000 CERTIFIED



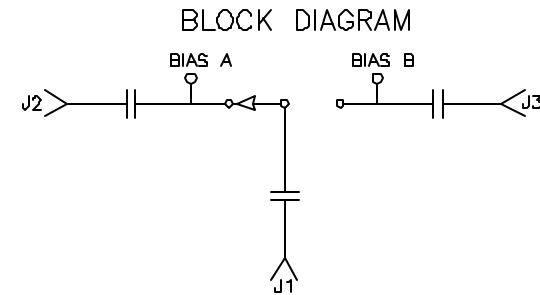
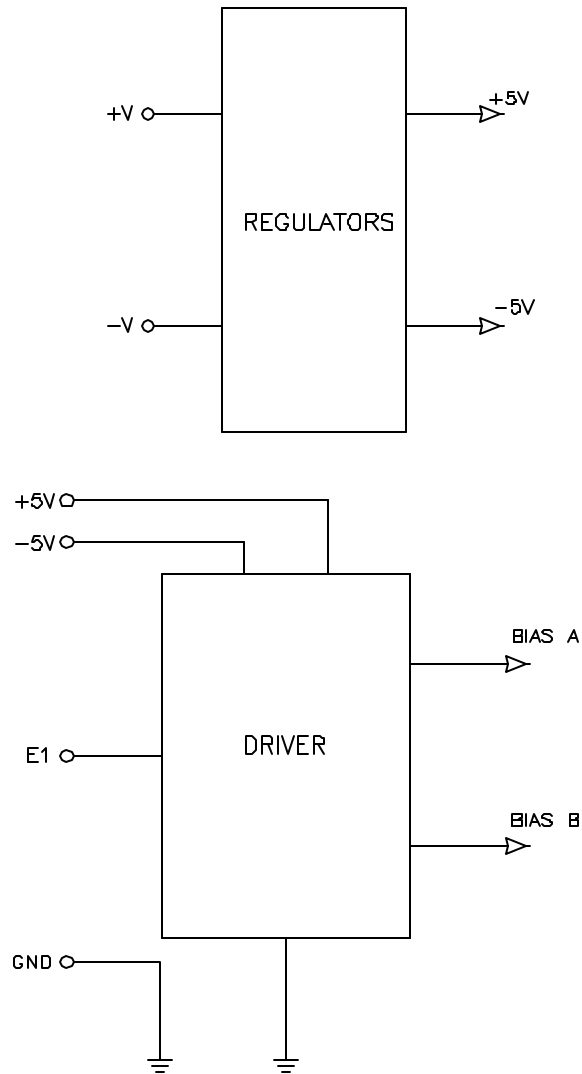
APPROVALS		DATE	TITLE		REV.
DRAWN	JDJ	4/8/06	PRODUCT FEATURE SWN-218-2DT		
CHECKED			OPTION: 100M7, HPR2W, B01, SHL 0.1-6.7 GHz, SINGLE POLE TWO THROW SWITCH		
ISSUED			SIZE	FSCM NO.	DWG NO.
			A	60483	100-7629
			SCALE	N:S	SHEET 1 OF 4

**DESCRIPTION**

AMC MODEL SWN-218-2DT OPTIONS: 100M7, HPR2W, B01, SHL IS AN ABSORPTIVE/NON-REFLECTIVE SINGLE POLE TWO THROW SWITCH MODULE DESIGNED TO OPERATE BETWEEN THE 100 MHz TO 6.7 GHz FREQUENCY RANGE WITH 2 WATT POWER HANDLING, -12V POWER SUPPLY AND SHUNT LOAD.

REVISIONS				
ZONE	REV.	DESCRIPTION	DATE	APPROVED
	-	ORIGINAL RELEASE JOB# 602028N-1	4/8/06	

**FUNCTIONAL BLOCK DIAGRAM**



**AMERICAN MICROWAVE CORPORATION**

7311-G GROVE ROAD  
 FREDERICK, MARYLAND 21704 USA  
 TEL: 301-662-4700 FAX: 301-662-4938  
 WEBSITE: [www.americanmicrowavecorp.com](http://www.americanmicrowavecorp.com)  
 E-MAIL: [sales@americanmicrowavecorp.com](mailto:sales@americanmicrowavecorp.com)  
 ISO 9001:2000 CERTIFIED



APPROVALS		DATE	TITLE	
DRAWN <i>FDF</i>		4/8/06	FUNCTIONAL BLOCK DIAGRAM SWN-218-2DT	
CHECKED			OPTION: 100M7, HPR2W, B01, SHL 0.1-6.7 GHz, SINGLE POLE TWO THROW SWITCH	
ISSUED			SIZE A	FWM NO. 60483
			DWG NO. 100-7629	REV. -
			SCALE N:S	SHEET 3 OF 4